

DRAWING MADE IN THIRD ANGLE PROJECTION

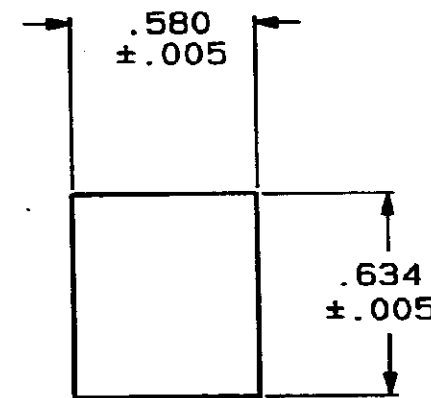
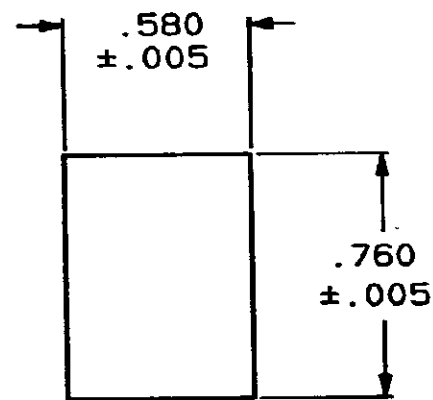
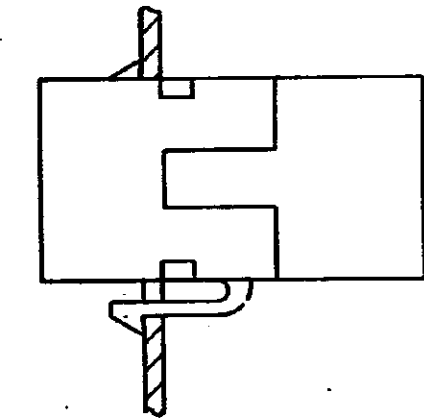
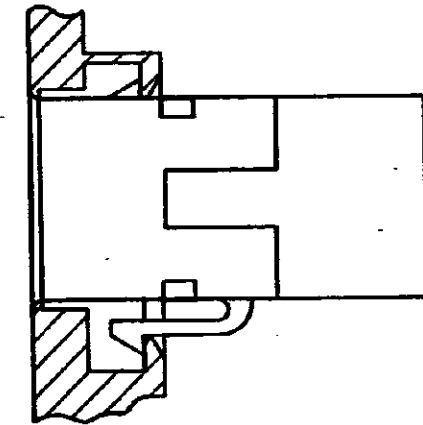
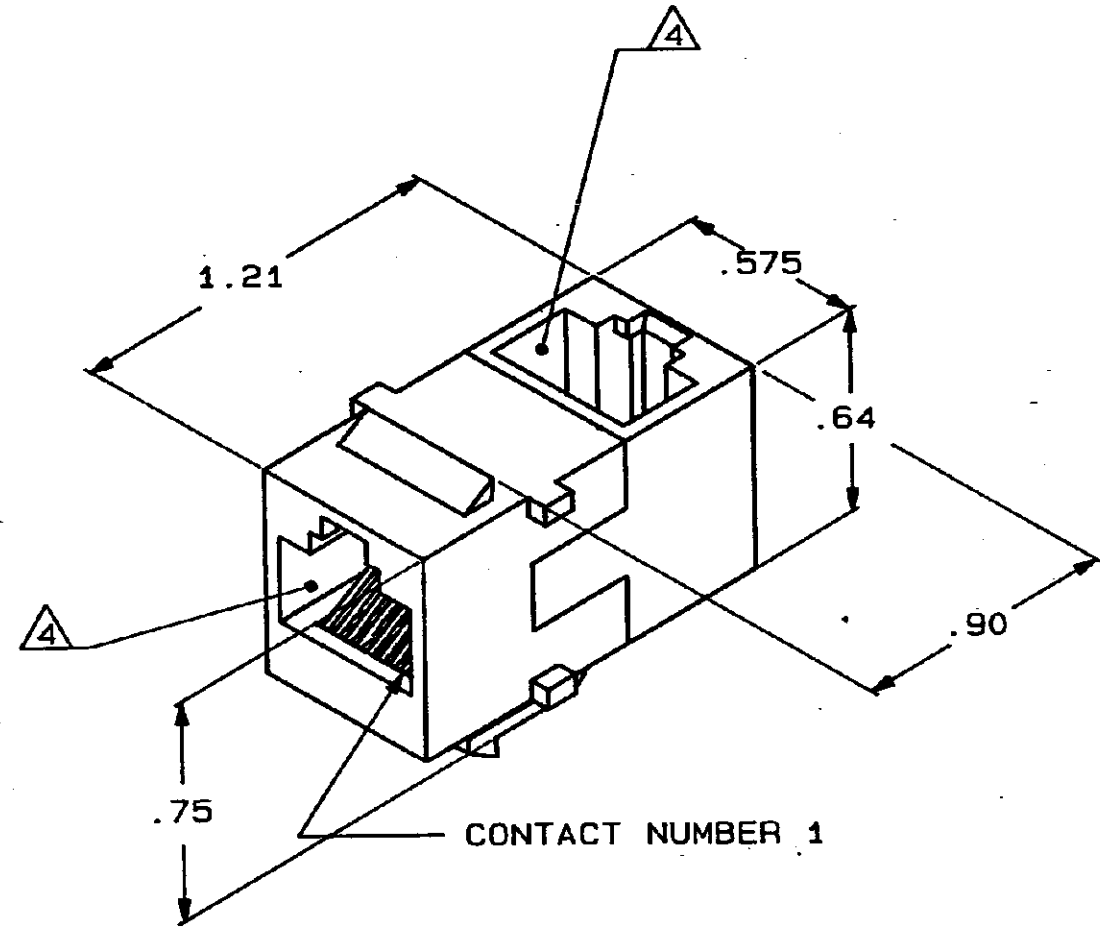
THIS DRAWING IS UNPUBLISHED. RELEASED FOR PUBLICATION .19  
 © COPYRIGHT 19 BY AMP INCORPORATED. ALL INTERNATIONAL RIGHTS RESERVED.

LOC	DIST	P	F	ZONE	LTR	REVISIONS	DATE	APPD
AA	28					REV: ECN AA-5169	7-20-88	RN

- ALL DIMENSIONS SHOWN ARE MAXIMUM UNLESS OTHERWISE SPECIFIED.
- △ MATERIAL:

HOUSING - POLYPHENYLENE OXIDE, BLACK.  
 TERMINAL - .018 DIA PHOSPHOR BRONZE PLATED WITH .000050 MINIMUM THICK GOLD OVER .000050 MINIMUM THICK NICKEL.
- △ MOUNTING PANEL THICKNESS .062 NOMINAL.

△ CAVITIES SHALL CONFORM TO FCC RULES AND REGULATIONS, PART 68, SUBPART F.



RECOMMENDED PANEL CUTOUT FOR SINGLE WALL PLATE AND BACK PANEL FOR DOUBLE WALL PLATE

RECOMMENDED FRONT PANEL CUTOUT FOR DOUBLE WALL PLATE

DO NOT SCALE PRINT. UNLESS SPECIFIED DIMENSIONS IN INCHES TOLERANCES ON:		DR C. YATES 3-17-87	555051-1	
2 PLC DEC ± -		CHK B. FOX 3-27-87	PART NO	
3 PLC DEC ± -		APPD G. FOSTER 4-1-87	AMP   AMP INCORPORATED Harrisburg, Pa. 17105	
ANGLES ± -		APPD G. FOSTER 4-1-87	NAME	
MATERIAL	△	PRODUCT SPEC	COUPLER ASSEMBLY, 8 POSITION, RIGHT ANGLE	
FINISH	△	APPLICATION SPEC	SIZE C	FSCM NO 00779
		WEIGHT	DRAWING NO	555051
			SCALE 2:1	SHEET 1 OF 1

CUSTOMER DRAWING

555051